



R 08-20

R 07-25

R 07/08 Technical Data.

Electric Tow Tractor
Electric Platform Truck



In accordance with VDI guidelines 2198, this specification applies to the standard model only.
Alternative tyres, mast types, ancillary equipment, etc. could result in different values.

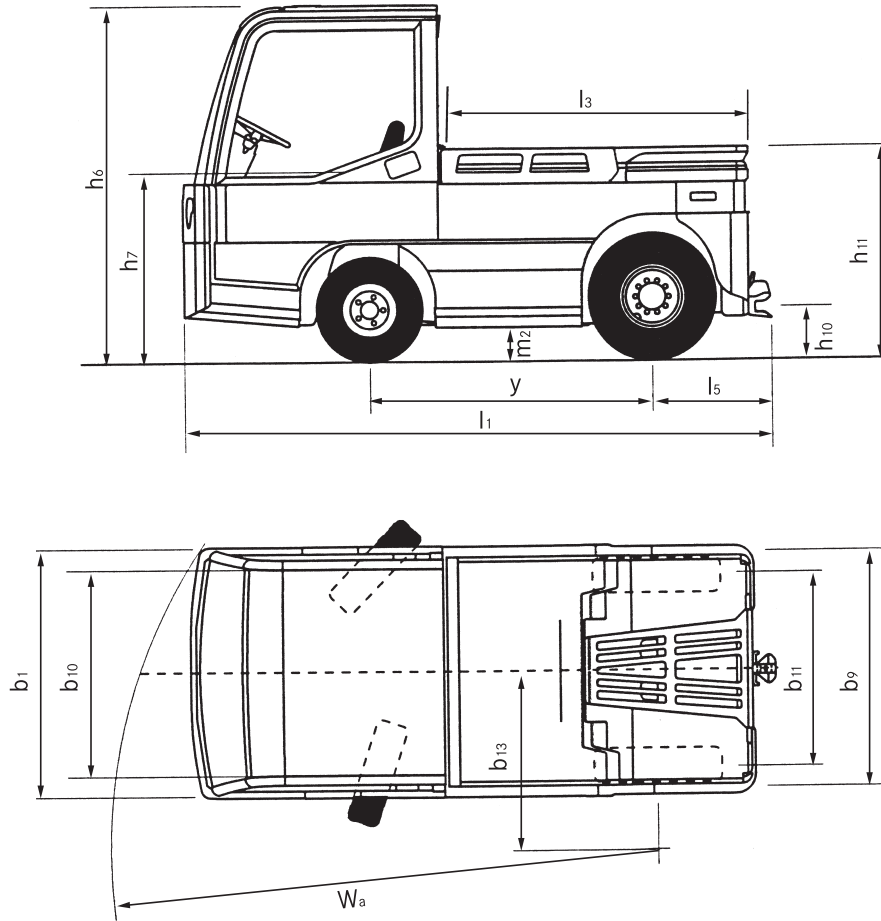
Characteristics	1.1	Manufacturer			STILL	STILL	STILL
	1.2	Manufacturer's model designation			R 07-25	R 07-25 L	R 08-20
	1.3	Power supply - electric, diesel, petrol, gas, mains electric			electric	electric	electric
	1.4	Type of control - hand, pedestrian, stand-on, rider seated			rider seated	rider seated	rider seated
	1.5	Carrying capacity/load	Q	kg	300	300	2000
	1.5.1	Trailer load	Q	kg	25000	25000	as per diagram overleaf
	1.7	Towing capacity	F	N	5000	5000	900
	1.9	Wheelbase	y	mm	1465	1900	1900
	Weight	2.1	Weight		kg	3800	4800
2.2		Axle loadings laden front		kg	2000	2600	2300 2100
2.2.1		Axle loadings laden rear		kg	2100	2500	2800 3100
2.3		Axle loadings unladen front		kg	1900	2500	1800 1800
2.3.1		Axle loadings unladen rear		kg	1900	2300	1300 1400
Wheels Tyres	3.1	Tyres - rubber (V), superelastic (SE), pneu. (L), poly. (PE)			L/SE	L/SE	L/SE
	3.2	Tyre size - front			6.00 R 9	6.00 R 9	6.00 R 9
	3.3	Tyre size - rear			7.00 R 12	7.00 R 12	7.00 R 12
	3.5	Wheels - number front (x = drive wheel)			2	2	2
	3.5.1	Wheels - number rear (x = drive wheel)			2x	2x	2x
	3.6	Track width - front	b ₁₀	mm	1080	1080	1080
	3.7	Track width - rear	b ₁₁	mm	1020	1020	1020
Dimensions	4.7	Height to top of overhead guard (cabin)	h ₆	mm	1820	1820	1820
	4.8	Seat height	h ₇	mm	745	745	745
	4.12	Coupling height	h ₁₀	mm	240, 295, 350, 405	240, 295, 350, 405	240, 295, 350, 405
	4.13	Platform height unladen	h ₁₁	mm	1000	1000	840
	4.16	Platform length	l ₃	mm	1520	1955	2200 2600
	4.17	Rear overhang	l ₅	mm	615	615	730 1130
	4.18	Platform width	b ₉	mm	1170	1170	1300
	4.19	Overall length	l ₁	mm	3045	3480	3590 3990
	4.21	Overall width	b ₁	mm	1300	1300	1300
	4.32	Ground clearance at centre of wheelbase	m ₂	mm	150	150	150
4.35	Outer turning radius	W _a	mm	2825	3275	3275	
4.36	Inner turning radius	b ₁₃	mm	935	1095	1095	
Performance	5.1	Speed laden		km/h	11	11	15
	5.1.1	Speed unladen		km/h	25	25	20
	5.5	Rated drawbar pull laden		N	-	-	-
	5.5.1	Rated drawbar pull unladen		N	5000	5000	900
	5.6	Max. drawbar pull laden		N	-	-	-
	5.6.1	Max. drawbar pull unladen		N	16000	16000	3500
	5.7	Gradeability laden		%			
	5.7.1	Gradeability unladen		%	as per diagram overleaf	as per diagram overleaf	as per diagram overleaf
	5.8	Max. gradeability laden		%			
	5.8.1	Max. gradeability unladen		%			
5.10	Brakes			electr./hydr.	electr./hydr.	electr./hydr.	
Motors	6.1	Drive motor hourly capacity		kW	20	20	5
	6.3	Battery equipment to DIN 43531/35/36 A, B, C, no			43536 A	43536 A	43536 A
	6.4	Battery voltage	U	V	80	80	80
	6.4.1	Battery capacity	K _s	Ah	440L 560L	700L 840L	240L 320L
	6.5	Battery weight		kg	1210 1558	1863 2178	679 858
	6.6	Energy consumption to VDI-Cycles		kWh/h	-	-	-
Engine	7.1	Engine manufacturer			-	-	-
	7.1.1	Type			-	-	-
	7.2	Engine rated power to ISO 1585		kW	-	-	-
	7.3	Rated rpm		1/min	-	-	-
	7.4	No. of cylinders			-	-	-
	7.4.1	No. of displacement		cm ³	-	-	-
7.5	Fuel consumption		l/h	-	-	-	
Other	8.1	Drive control			AC-microprocessor	AC-microprocessor	AC-microprocessor
	8.4	Average noise peak at operator's ears		dB(A)			
	8.5	Trailer coupling, type/DIN			244 A 3500.	244 A 3500.	244 A 3500.

Dimensional sketch and operating data...

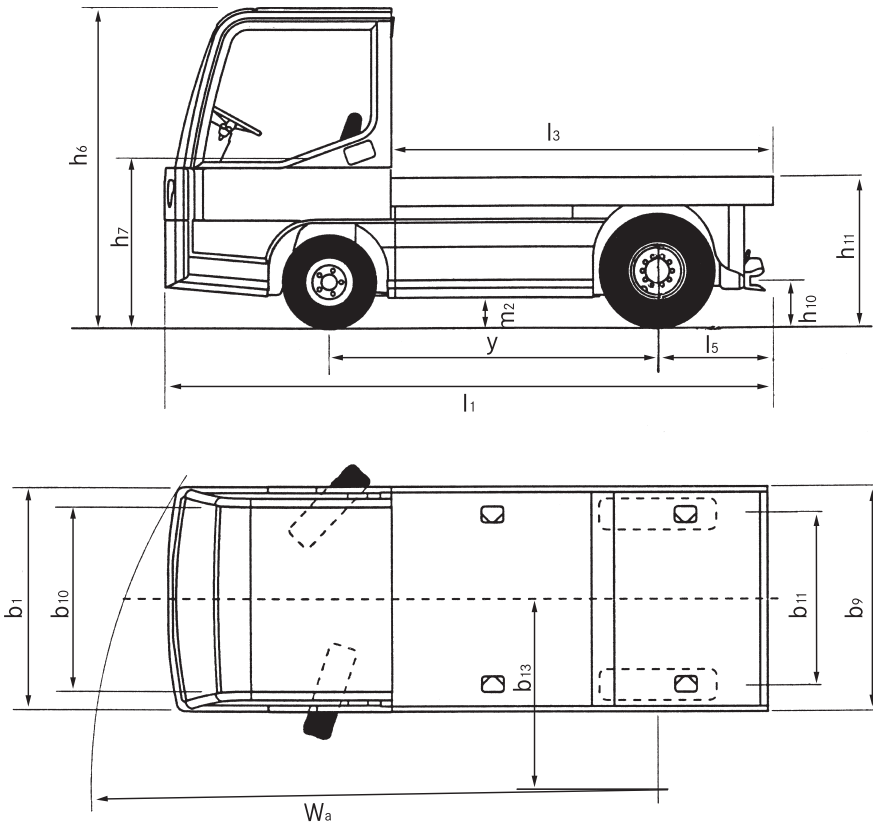
When hauling loaded trailers that are coupled to platform or towing trucks under the most arduous of operating conditions (e. g. sloping surfaces, smooth or slippery roadways, etc.) the determining factor for trailing load assessment will not be the tractive effort developed by the towing truck, nor the carrying capacity of the relevant trailers, but rather the presence of an effective brake system eliminating the risk of accidents (i. e. by using trailers equipped with brakes of the overrun type). When towing trailer trains on public roads, the Road Traffic Regulations must be adhered to.

The values contained in this specification and data sheet, including the performance charts, apply to tractors operating on a dry concrete surface.
Rolling resistance on level surface: 200 N/t.
Frictional coefficient for tyres: 0.80;
Height of towing bracket: 400 mm.
Tipping limit: the static load on the steered wheels is 20% below the net weight of the tractor.

Electric Tow Tractor R 07-25 (Measurements in mm)

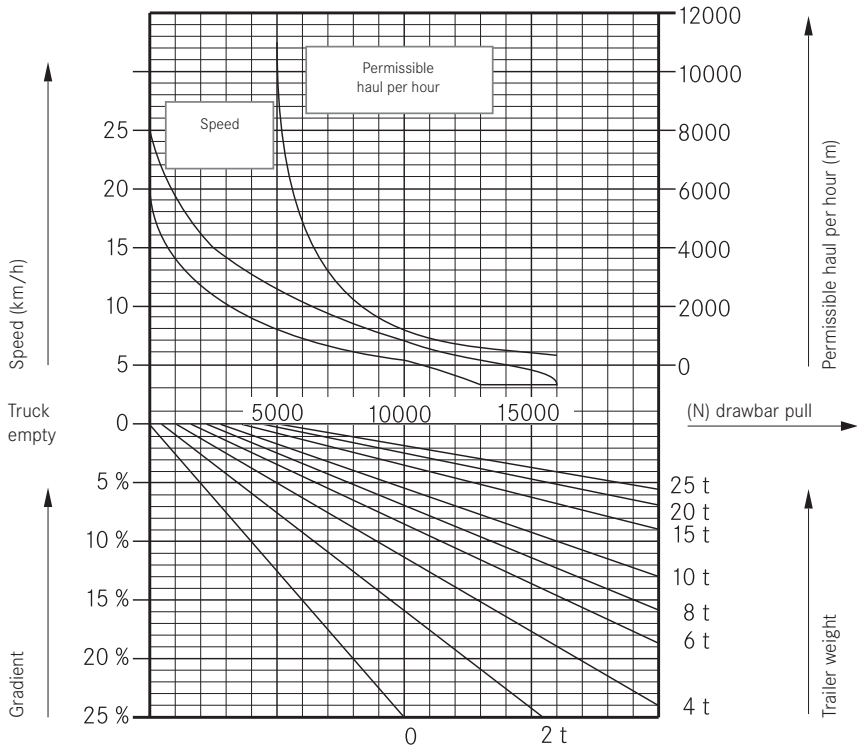


Electric Platform Truck R 08-20 (Measurements in mm)



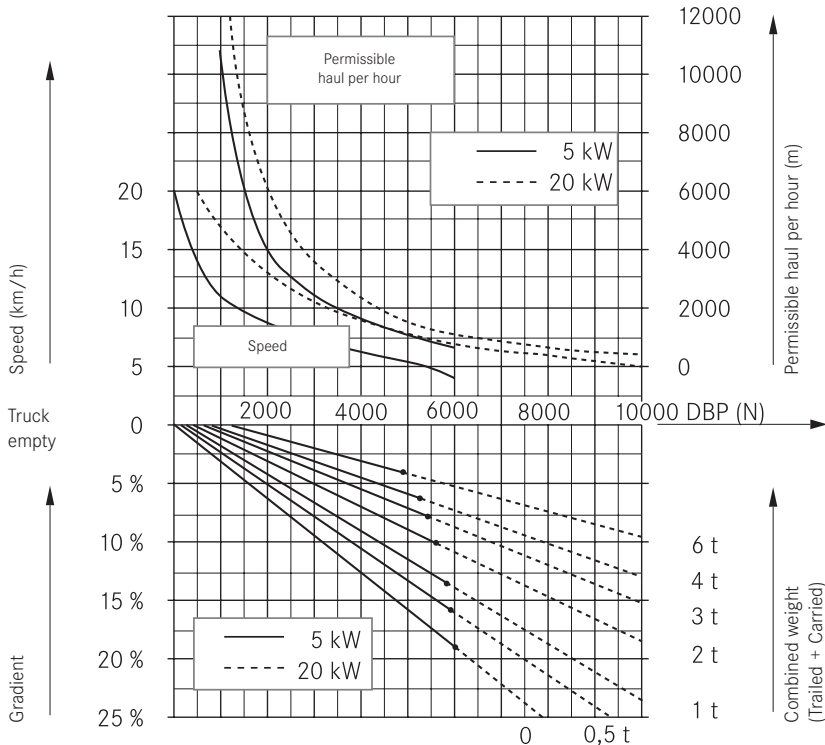
The models depicted in this brochure may contain special parts or attachments which are not supplied as standard.

Performance Chart R 07-25



The Speed/Draw Bar Pull performance of the tractor can be programmed between the two limits shown to suit the application. The permissible haul per hour is the total distance travelled, including the return journey and any downhill gradients. It is recommended that braked trailers are used for trailer loads exceeding 9 tonnes and for all trailer loads if gradients are involved.

Performance Chart R 08-20



The permissible haul per hour is the total distance travelled, including the return journey and any downhill gradients. It is recommended that braked trailers are used for all trailer loads if gradients are involved.

Drive.

- The encapsulated 80 volt three-phase drive motor from STILL gives long life and freedom from maintenance, with optimal energy utilisation.
- During braking the drive motor acts as a generator and feeds electrical energy back into the battery. This allows a longer period of work before the battery needs recharging.
- Due to the regulated drive control, the travel speed will remain constant for the same pedal position regardless of upward or downward gradients.

Battery and battery changing.

The chassis can take standard batteries. Battery changing is by means of a hoist. On the R 08-20 the battery can also be removed from the side with a low lift pallet truck.

Electrical system.

The trucks are fitted with an energy-saving MOSFET controller. Drive and steering unit are linked through a CAN bus to the combi instrument. Constant checks guarantee fault-free operation.

Brakes.

- The truck has three independent braking systems.
- Disc brakes at the front and maintenance free multi-disc brakes in an oil bath at the back are actuated hydraulically with the brake pedal.
- A mechanical handbrake acts on the rear wheels.

Steering.

- The servo-steering is extremely free moving and allows fatigue-free driving.
- The sturdy steering axle gives the truck very good manoeuvrability and makes it extremely manageable.

Frame.

The flat, shock resistant chassis is specified and designed in accordance with FEM. Due to its robust steel structure it has very high resistance to distortion and high rigidity. The design prevents the accumulation of water at any point in the frame. This corrosion protection guarantees a long life.

Lighting.

- Road Traffic Act lighting system fitted as standard.
- Rear lights can be fitted at the top of the overhead guard as an option.
- Optimum rear visibility thanks to the large viewing channel of the R 07-25.
- An auxiliary grid over the viewing channel is available for the R 07-25 for better utilisation of the load surface.

Driver's compartment.

- Automotive style foot pedal layout.
- Seat and steering column are adjustable.
- On the R 07-25 the driver has a clear view onto the tow coupling from the driving compartment.
- Convenient entry and exit and also a relaxed leg position due to the low step height, large footwell and anti-slip liner.
- Excellent all-round visibility.

Standard equipment.

- Sprung driver's seat, PVC.
- Passenger's seat, PVC.
- Pneumatic tyres.
- Work hour meter through key switch and seat switch.
- Paint RAL 2000/RAL 7021.
- Forward/reverse inching button device on the R 07-25.
- Automatic coupling, rear.

Auxiliary equipment.

- Tow coupling, front (1xautomatic or three position coupling).
- Tow coupling, rear (2xautomatic coupling, three position or automatic remote coupling).
- Cloth covered seat (with or without seat heater)
- SE tyres.
- Power supply can be extended with a 12 volt converter for auxiliary electrics.
- The R 08-20 can be customised for use in any industry by fitting additional equipment.
- Cab for the R 07-25 also available with sliding doors.

Официальный дистрибьютор
"STILL GmbH" по Уральскому региону
ООО "Форклифт-Сервис"

ОФИС В ЕКАТЕРИНБУРГЕ

пр. Космонавтов, 18, 620017,
г. Екатеринбург, Россия
факс: +7 343 365 88 20
e-mail: sales@forklift.ru

ОФИС В ЧЕЛЯБИНСКЕ

Троицкий тракт, 54, 454053 (база ЧелябТехОптТорг)
г. Челябинск, Россия
тел: +7 351 231 95 55
факс: +7 351 268 91 65
e-mail: chel@forklift.ru

ОФИС В ПЕРМИ

ул. Героев Хасана, 51а, 614064
г. Пермь, Россия
тел: +7 342 246 92 60
факс: +7 342 241 03 41
e-mail: perm@forklift.ru